

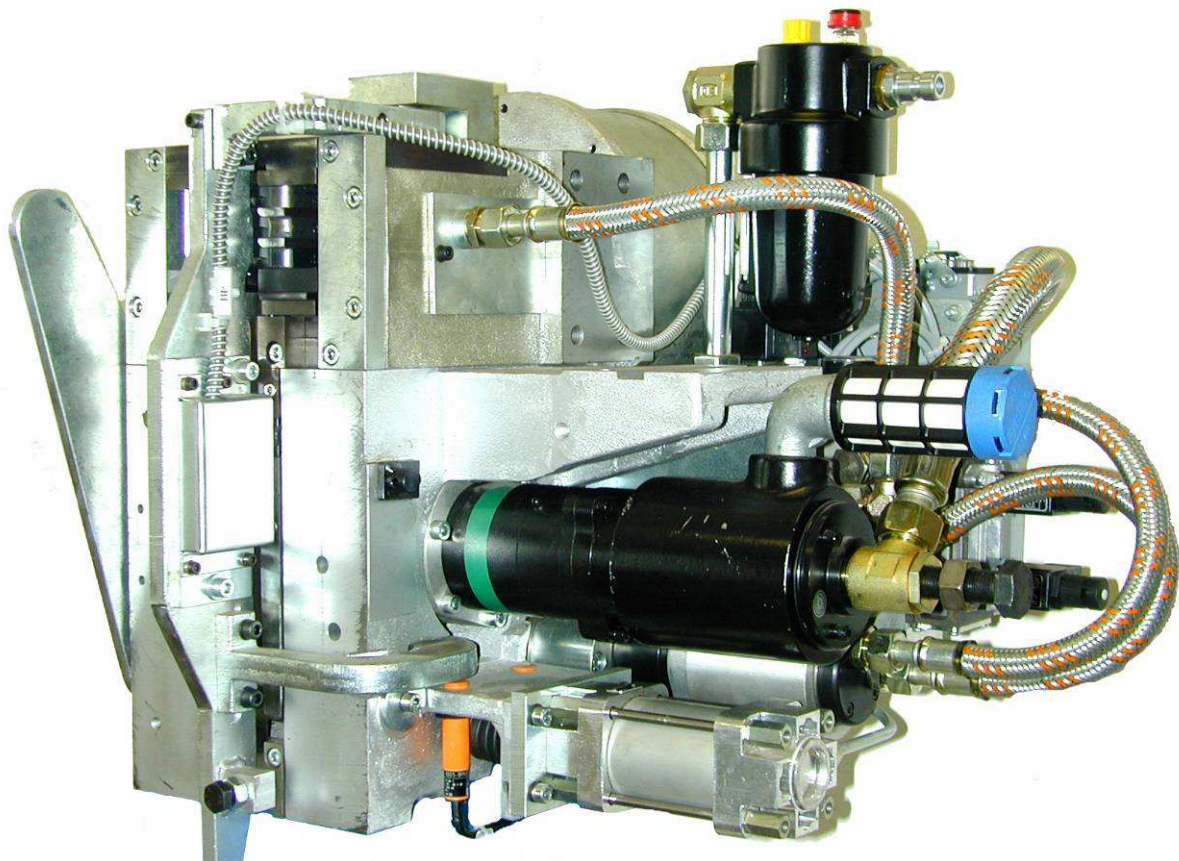
Ersatzteilliste

Spare parts list

Liste des pièces de rechange

VS 31
12 **0001**

Strapping head
Seal without sleeve



1

2

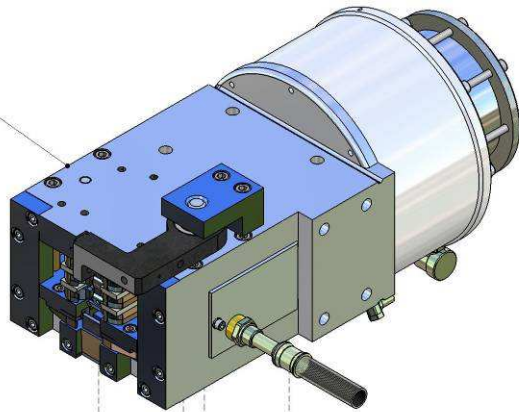
3

4

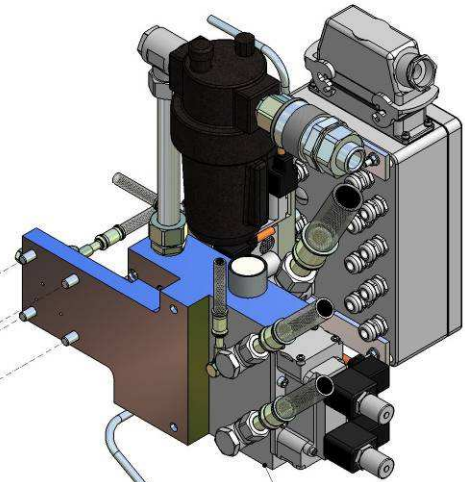
VS 31

A

Pos. 500

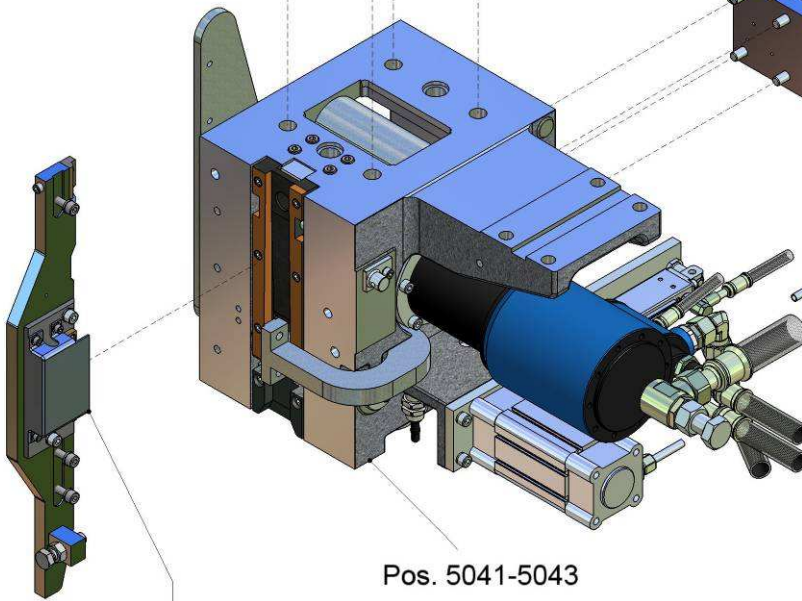


B



Pos. 501

C



Pos. 5041-5043

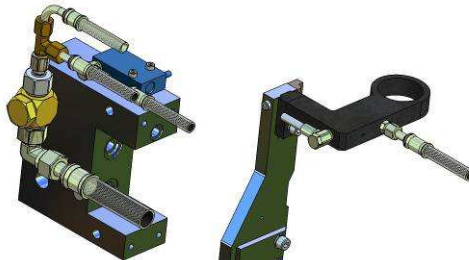
D

Pos. A



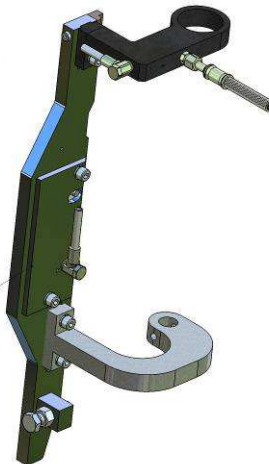
Pneumatic strap deactivating (option)

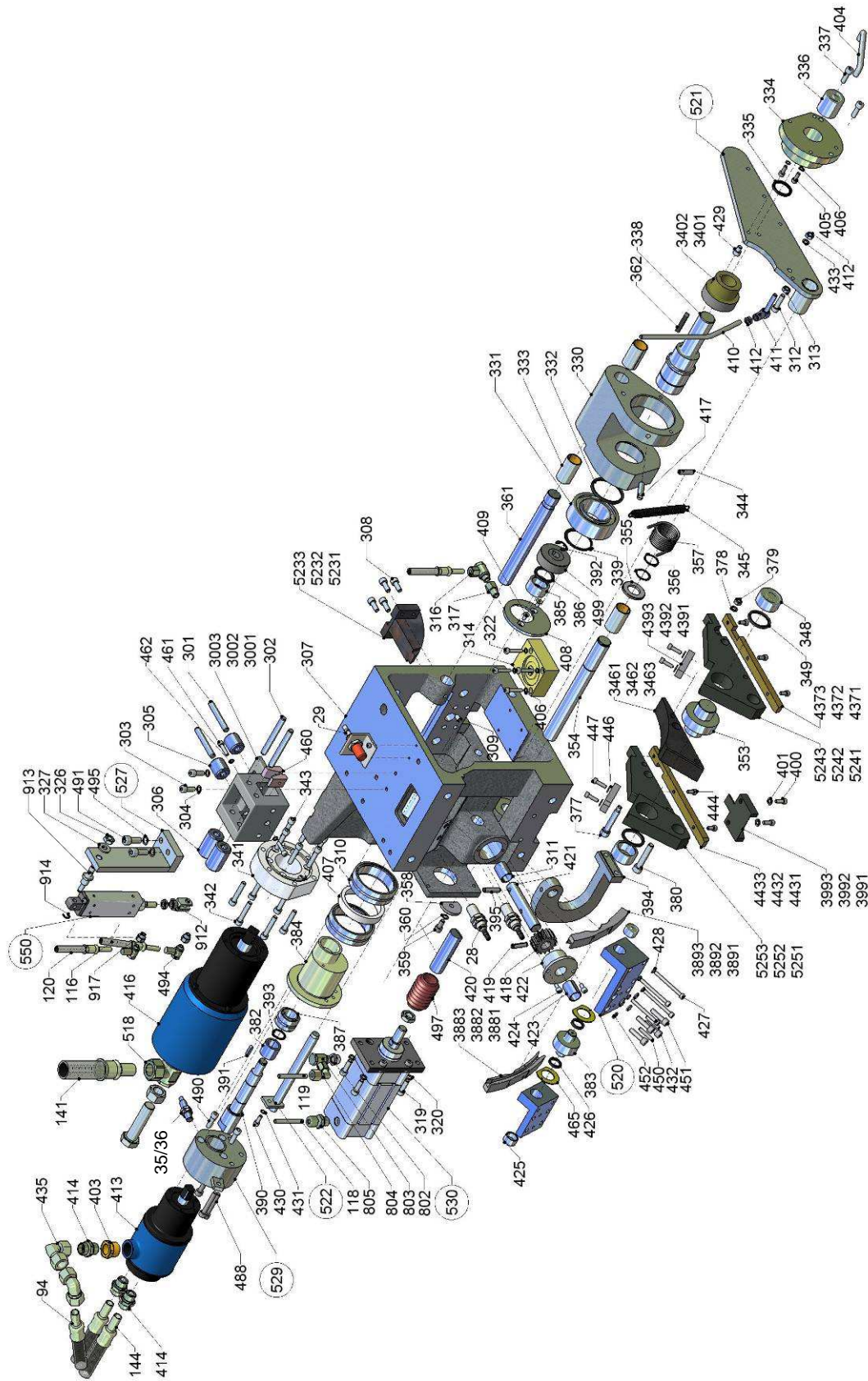
E



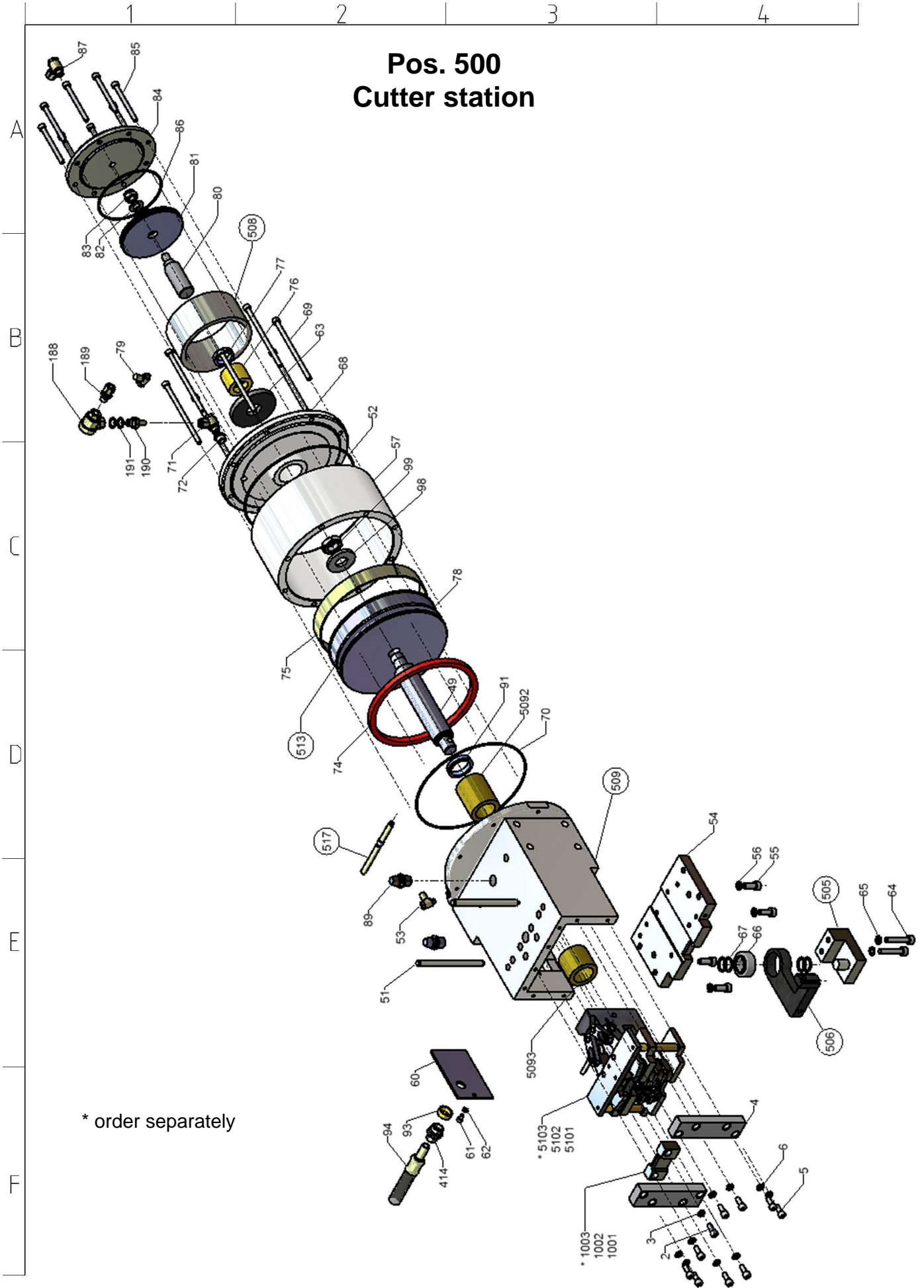
F

Pos. B

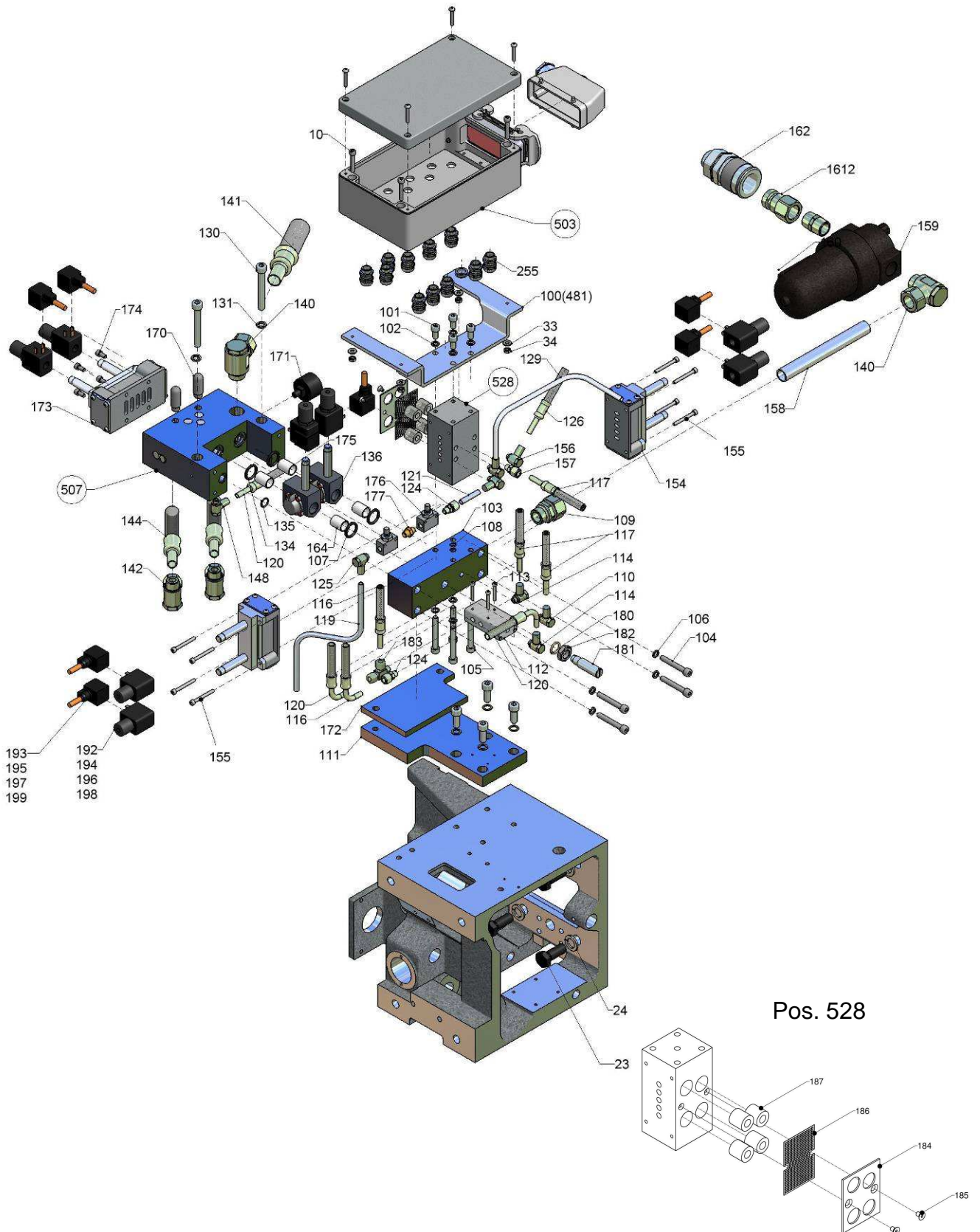




**Pos. 500
Cutter station**



Pos. 501
Pneumatic control



1

2

3

4

Pos. A Electric strap deactivating

A

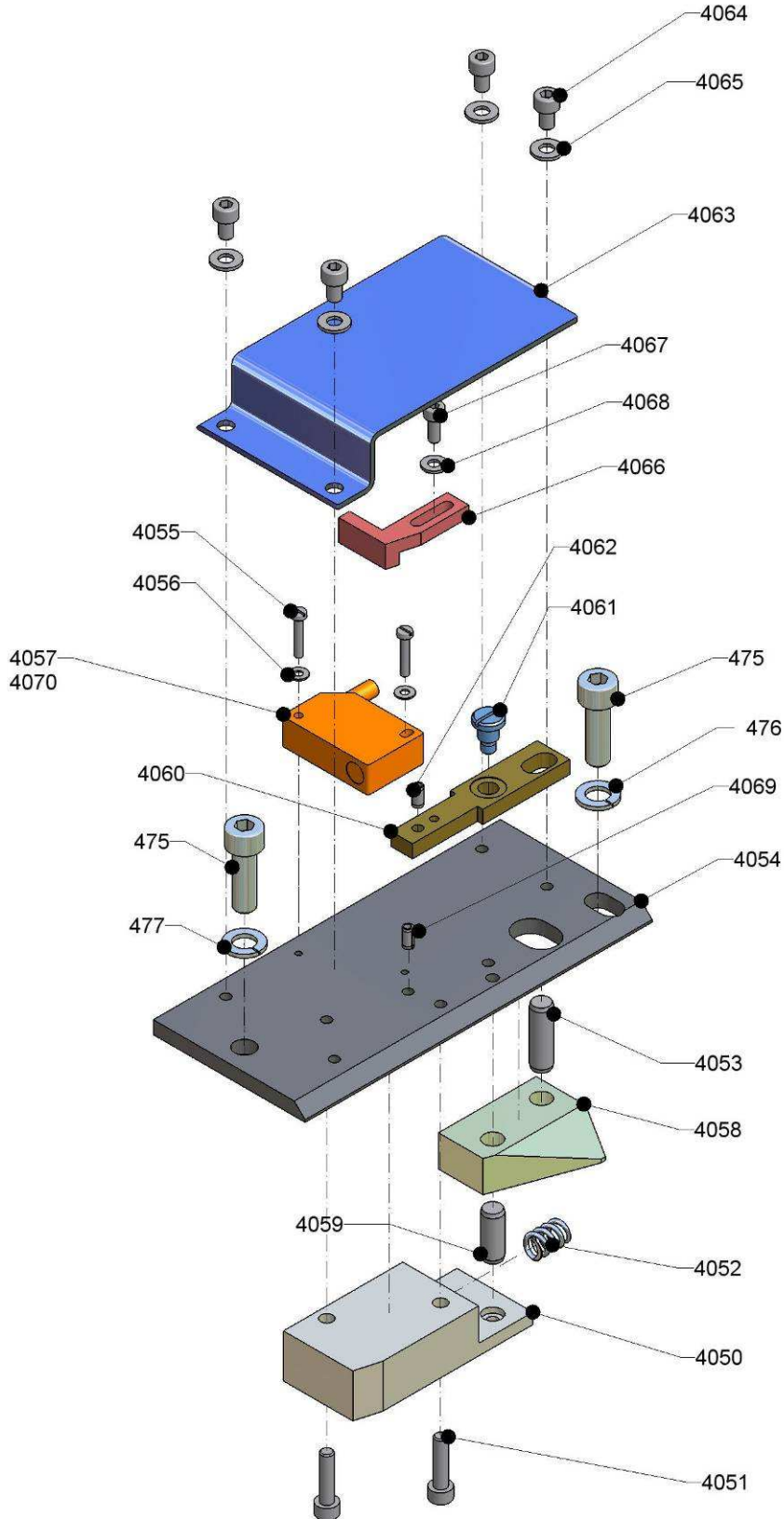
B

C

D

E

F



1

2

3

4

Pos. B Pneumatic strap deactivating

A

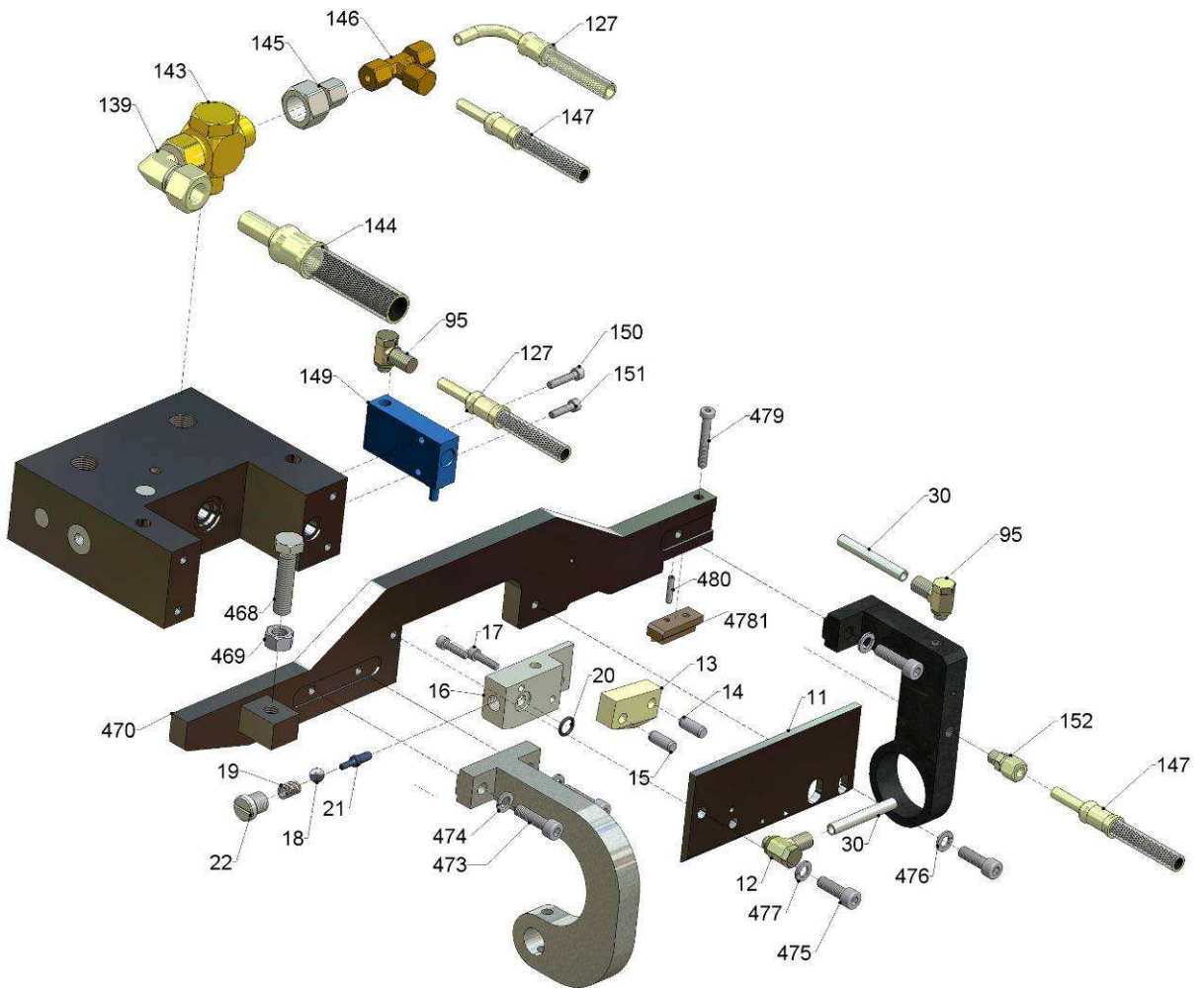
B

C

D

E

F



1

2

3

4

Pos. 530
Pneumatic cylinder compl.

A

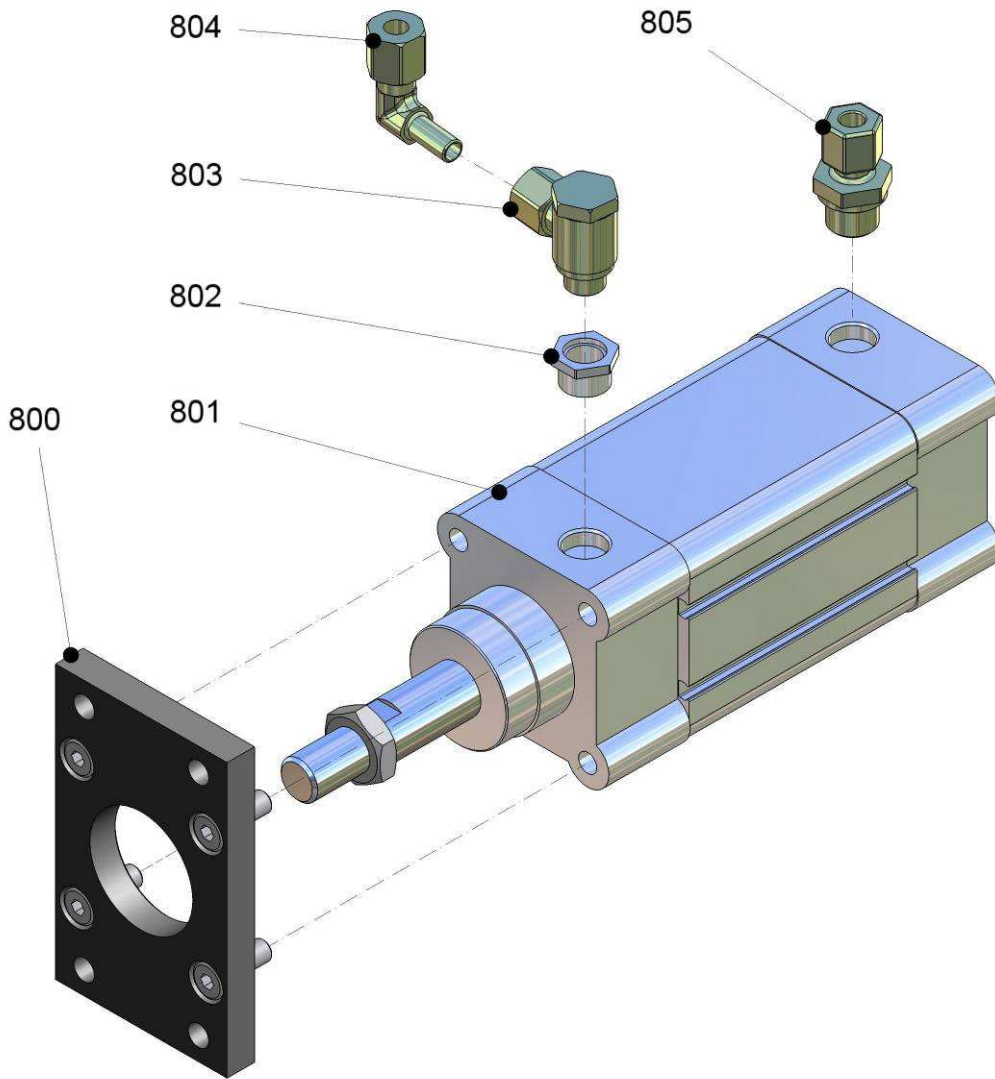
B

C

D

E

F



1

2

3

4

Pos. 550
Pneumatic cylinder 2 compl.

A

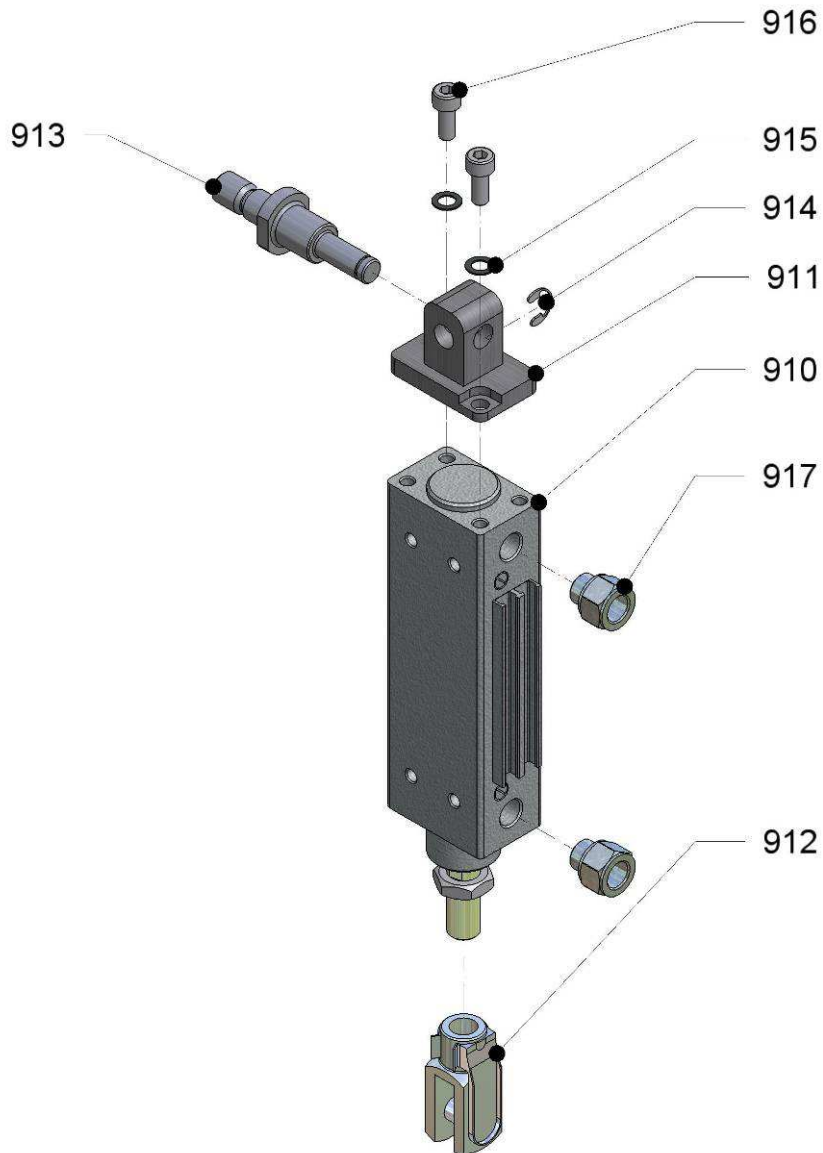
B

C

D

E

F



V=Wearing part

| item no. | Order no. | Designation | Dimensions | DIN | Qty. | Remarks |
|-----------|--------------------|----------------------------|-------------|------|----------|----------------|
| 2 | 120001 - 2 | Cap screw | M8 x 20 | 912 | 2 | V |
| 3 | 120001 - 3 | Spring washer | 8 | 7980 | 2 | V |
| 4 | 120001 - 4 | Head bar | | | 2 | |
| 5 | 120001 - 5 | Cap screw | M8 x 20 | 912 | 8 | V |
| 6 | 120001 - 6 | Federring | 8 | 7980 | 8 | V |
| 8 | 120001 - 8 | Cap screw | M10 x 25 | 912 | 4 | |
| 9 | 120001 - 9 | Spring washer | 10 | 7980 | 4 | |
| 10 | 120001 - 10 | Cap screw | M6 x 25 | 912 | 4 | |
| 11 | 120001 - 11 | Plate | | | 1 | |
| 12 | 120001 - 12 | Swivel joint | SWVE 8-LLR | | 1 | |
| 13 | 120001 - 13 | Pawl | | | 1 | |
| 14 | 120001 - 14 | Cylindrical pin | 8m6 x 20 | 7 | 1 | |
| 15 | 120001 - 15 | Cylindrical pin | 8m6 x 20 | 6325 | 1 | |
| 16 | 120001 - 16 | Valve block | | | 1 | |
| 17 | 120001 - 17 | Cap screw | M5 x 20 | 912 | 2 | |
| 18 | 120001 - 18 | Ball | Ø10 | 5401 | 1 | |
| 19 | 120001 - 19 | Compression spring | D-160 | | 1 | |
| 20 | 120001 - 20 | Round gasket | 10,3 x 2,4 | | 1 | |
| 21 | 120001 - 21 | Tappet | | | 1 | |
| 22 | 120001 - 22 | Plug | | | 1 | |
| 23 | 120001 - 23 | Hexagonal screw | M16 x 40 | 933 | 4 | |
| 24 | 120001 - 24 | Spring washer | A16 | 127 | 4 | |
| 25 | 120001 - 25 | Initiator | IA0032 | | 1 | 20-250 V AC |
| 26 | 120001 - 26 | Initiator | IG0005 | | 2 | 20-250 V AC/DC |
| 27 | 120001 - 27 | Initiator | IA5062 | | 1 | 10-55 V DC |
| 28 | 120001 - 28 | Initiator | IG5221 | | 2 | 10-55 V DC |
| 29 | 120001 - 29 | Initiator | IA5082 | | 1 | 10-55 V DC |
| 30 | 120001 - 30 | Tube | | | 1 | |
| 32 | 120001 - 32 | Initiator | IF0002 | | 1 | 90-250 V AC |
| 33 | 120001 - 33 | Spring washer | 6 | 6796 | 4 | |
| 34 | 120001 - 34 | Hexagonal nut | M6 | 934 | 4 | |
| 35 | 120001 - 35 | Initiator | IFT203 | | 1 | 10-36 V DC |
| 36 | 120001 - 36 | Cable box | E10700 | | 1 | |
| 49 | 120001 - 49 | Piston rod | | | 1 | |
| 51 | 120001 - 51 | Cylindrical pin | 12m6 x 150 | 6325 | 2 | |
| 52 | 120001 - 52 | Round gasket | 220 x 3 | | 1 | |
| 53 | 120001 - 53 | Swivel joint | SWVE 8-LLR | | 1 | |
| 54 | 120001 - 54 | Cover Plate | | | 1 | |
| 55 | 120001 - 55 | Cap screw | M10 x 25 | 912 | 4 | |
| 56 | 120001 - 56 | Spring washer | 10 | 7910 | 4 | |
| 57 | 120001 - 57 | Cylinder | | | 1 | |
| 60 | 120001 - 60 | Sheet metal | | | 1 | |
| 61 | 120001 - 61 | Cap screw | M6 x 10 | 912 | 2 | |
| 62 | 120001 - 62 | Spring washer | A6 | 127 | 2 | |
| 63 | 120001 - 63 | Washer | | | 1 | |
| 64 | 120001 - 64 | Cap screw | M10 x 40 | 912 | 2 | |
| 65 | 120001 - 65 | Spring washer | 10 | 7980 | 2 | |
| 66 | 120001 - 66 | Self-aligning ball bearing | 2204 2RS | | 1 | |
| 67 | 120001 - 67 | Shim | 20 x 28 x 1 | 988 | 4 | |

V=Wearing part

| item no. | Order no. | Designation | Dimensions | DIN | Qty. | Remarks |
|------------|---------------------|----------------------|---------------|----------|----------|---------|
| 68 | 120001 - 68 | Cylindercover | | | 1 | |
| 69 | 120001 - 69 | Cap screw | M8 x 150 | 912 | 8 | |
| 70 | 120001 - 70 | Rond gasket | B 220 x 3 | 3770 | 1 | |
| 71 | 120001 - 71 | Swivel joint | SWVE 8-LR | | 1 | |
| 72 | 120001 - 72 | Reducing nipple | G3/8" x 1/4" | | 1 | |
| 74 | 120001 - 74 | Piston packing | OMK-S 220 | | 1 | |
| 75 | 120001 - 75 | Piston guide ring | EKF 220 | | 1 | |
| 76 | 120001 - 76 | Bushing | | | 1 | |
| 77 | 120001 - 77 | Piston rod packing | VN 30-101 | | 1 | |
| 78 | 120001 - 78 | Piston | | | 1 | |
| 79 | 120001 - 79 | Swivel joint | SWVE 8-LLR | | 1 | |
| 80 | 120001 - 80 | Piston pin | | | 1 | |
| 81 | 120001 - 81 | Piston | PNEUK0125 | | 1 | |
| 82 | 120001 - 82 | Washer | B 15 | 125 | 1 | |
| 83 | 120001 - 83 | Hexagonal nut | M14 | 985 | 1 | |
| 84 | 120001 - 84 | Cylindercover | | | 1 | |
| 85 | 120001 - 85 | Cap screw | M8 x 90 | 912 | 8 | |
| 86 | 120001 - 86 | Round gasket | 125 x 3 NB 70 | 3770 | 1 | |
| 87 | 120001 - 87 | Swivel joint | SWVE 8-LR | | 1 | |
| 88 | 120001 - 88 | Reducing nipple | G3/8" x 1/4" | | 1 | |
| 89 | 120001 - 89 | Receiving lug | | | 2 | |
| 91 | 120001 - 91 | Rod packing | VN 40-112 | 8U - 504 | 1 | |
| 93 | 120001 - 93 | Spacer | | | 1 | |
| 94 | 120001 - 94 | Silver hose | BE+BE 15 | 490 long | 1 | |
| 95 | 120001 - 95 | Swivel joint | SWVE 8-LLR | | 2 | |
| 96 | 120001 - 96 | Piston pin | | | 1 | |
| 97 | 120001 - 97 | Sleeve | 10 x 36 | 1481 | 1 | |
| 98 | 120001 - 98 | Tension washer | 24 | 6796 | 1 | |
| 99 | 120001 - 99 | Hexagonal nut | M24 | 439 | 1 | |
| 100 | 120001 - 100 | Terminal box | | | 1 | |
| 101 | 120001 - 101 | Cap screw | M8 x 16 | 912 | 4 | |
| 102 | 120001 - 102 | Spring washer | A8 | 127 | 4 | |
| 103 | 120001 - 103 | Valve block | | | 1 | |
| 104 | 120001 - 104 | Cap screw | M8 x 55 | 912 | 4 | |
| 105 | 120001 - 105 | Cap screw | M8 x 60 | 912 | 4 | |
| 106 | 120001 - 106 | Spring washer | 8 | 7980 | 8 | |
| 107 | 120001 - 107 | Round gasket | B20 x 3,5 | 3770 | 2 | |
| 108 | 120001 - 108 | Round gasket | B7 x 1,5 | 3770 | 1 | |
| 109 | 120001 - 109 | Straight pipe union | GE 22-LR | | 1 | |
| 110 | 120001 - 110 | Swivel joint | SWVE 8-LLR | | 1 | |
| 111 | 120001 - 111 | Battery plate | | | 1 | |
| 112 | 120001 - 112 | 5/2 way valve | 4030606 | | 1 | |
| 113 | 120001 - 113 | Cap screw | M4 x 30 | 912 | 3 | |
| 114 | 120001 - 114 | Swivel joint | SWVE 8-LLR | | 2 | |
| 116 | 120001 - 116 | Silver hose | | 450 long | 2 | |
| 117 | 120001 - 117 | Silver hose | | 320 long | 2 | |
| 118 | 120001 - 118 | Pipe | | | 1 | |
| 119 | 120001 - 119 | Pipe | | | 1 | |

V=Wearing part

| item no. | Order no. | Designation | Dimensions | DIN | Qty. | Remarks |
|------------|---------------------|--------------------------|------------------|-----|----------|----------|
| 120 | 120001 - 120 | Silver hose | BE+BE 90°8-L | | 410 long | 2 |
| 121 | 120001 - 121 | Pipe | | | | 1 |
| 124 | 120001 - 124 | Straight pipe union | GE 8-LLR | | | 2 |
| 125 | 120001 - 125 | Swivel joint | SWVE 8-LLR | | | 1 |
| 126 | 120001 - 126 | Silver hose | BE+BE 90°8-L | | 210 long | 2 |
| 127 | 120001 - 127 | Silver hose | BE+BE 90°8-L | | 450 long | 1 |
| 129 | 120001 - 129 | Pipe | | | | 1 |
| 130 | 120001 - 130 | Cap screw | M10 x 75 | | 912 | 2 |
| 131 | 120001 - 131 | Spring washer | 10 | | 7980 | 2 |
| 134 | 120001 - 134 | Round gasket | B20 x 3,5 | | 3770 | 2 |
| 135 | 120001 - 135 | Round gasket | B13 x 2 | | 3770 | 1 |
| 136 | 120001 - 136 | 2/2 way valve without | actuating magnet | | 7030128 | 2 |
| 139 | 120001 - 139 | Joint | EVW 15-LR | | | 1 |
| 140 | 120001 - 140 | Swivel joint | SWVE 22-PLR | | | 2 |
| 141 | 120001 - 141 | Silver hose | BE+BE 22 | | 475 long | 1 |
| 142 | 120001 - 142 | Swivel joint | SWVE 15-PLR | | | 2 |
| 143 | 120001 - 143 | Non reduced swivel joint | TH 15-PLR | | | 1 |
| 144 | 120001 - 144 | Silver hose | BE+BE 15 | | 490 long | 2 |
| 145 | 120001 - 145 | Cone reducing connection | KOR 15/8-L | | | 1 |
| 146 | 120001 - 146 | Adjustable L-connection | piece | | | 1 |
| 147 | 120001 - 147 | Silver hose | BE+BE 90°8-L | | 800 long | 1 |
| 148 | 120001 - 148 | Swivel joint | SWVE 8-LLR | | | 1 |
| 149 | 120001 - 149 | Transducer | 3344/PE 1/8" | | | 1 |
| 150 | 120001 - 150 | Cap screw | M5 x 22 | | 912 | 1 |
| 151 | 120001 - 151 | Cap screw | M5 x 25 | | 912 | 1 |
| 152 | 120001 - 152 | Straight pipe union | GE 8-LLR | | | 1 |
| 154 | 120001 - 154 | 5/4 way valvet without | actuating magnet | | 2555801 | 2 |
| 155 | 120001 - 155 | Cap screw | M5 x 45 | | 912 | 8 |
| 156 | 120001 - 156 | Swivel joint | SWVE 8-LLR | | | 3 |
| 157 | 120001 - 157 | Straight pipe union | GE 8-LLR | | | 1 |
| 158 | 120001 - 158 | Pipe | | | | 1 |
| 159 | 120001 - 159 | Splash lubricator | L17-60OMP 9D | | | 1 |
| 160 | 120001 - 160 | Reducing nipple | G3/4" x R3/4" | | | 1 |
| 161 | 120001 - 161 | Plug nipple | LP-1 9-1 -WR | | | 1 |
| 162 | 120001 - 162 | Coupling | LP-0 1 9-WR 026 | | | 1 |
| 164 | 120001 - 164 | Distance collar | | | | 2 |
| 170 | 120001 - 170 | Silencer | M/S2 G1/4" A | | | 2 |
| 171 | 120001 - 171 | Pressure gauge | MA 40-10-1/8" | | | 1 |

V=Wearing part

| item no. | Order no. | Designation | Dimensions | DIN | Qty. | Remarks |
|------------|---------------------|-------------------------------|------------------|---------|----------|----------|
| 172 | 120001 - 172 | Intermediate sheet | | | 1 | |
| 173 | 120001 - 173 | 5/4 way valvet without | actuating magnet | 2556301 | 1 | |
| 174 | 120001 - 174 | Cap screw | M6 x 12 | 912 | 4 | |
| 175 | 120001 - 175 | Distance collar | | | 2 | |
| 176 | 120001 - 176 | Double check valve | GR 1/8" 2100 | | 2 | |
| 177 | 120001 - 177 | Double nipple | G1/8" x R1/8" | 20 long | 1 | |
| 180 | 120001 - 180 | Round gasket | 16 x 2,5 | 3770 | 1 | |
| 181 | 120001 - 181 | Throttle screw | | | 1 | |
| 182 | 120001 - 182 | Hexagonalnut | B M16 x 1,5 | 439 | 1 | |
| 183 | 120001 - 183 | L-pipe union | LE 8-LLR | | 1 | |
| 184 | 120001 - 184 | Cover | | | 1 | |
| 185 | 120001 - 185 | Countersunk screw | M5 x 8 | 7991 | 2 | |
| 186 | 120001 - 186 | Filter | | | 1 | |
| 187 | 120001 - 187 | Sound absorber inset | | | 4 | |
| 188 | 120001 - 188 | Quick vent valve | SEU-1/4 6753 | | 1 | |
| 189 | 120001 - 189 | Straight pipe union | GE 8-LR | | 1 | |
| 190 | 120001 - 190 | Straight screwed socket | EVGE 8-PLR-ED | 1/4" | 1 | |
| 191 | 120001 - 191 | Gasket | A 14 x 20 x 1,5 | 7603 | 2 | |
| 192 | 120001 - 192 | Actuating magnet | 0200 24V DC | | 8 | optional |
| 193 | 120001 - 193 | Conducting box with luminaire | AF 2 24V AC/DC | 43650 | 8 | optional |
| 194 | 120001 - 194 | Actuating magnet | 0200 230V AC | | 8 | optional |
| 195 | 120001 - 195 | Conducting box with luminaire | AF 2 230V AC | 43650 | 8 | optional |
| 196 | 120001 - 196 | Actuating magnet | 0200 110V AC | | 8 | optional |
| 197 | 120001 - 197 | Conducting box with luminaire | AF 2 110V AC | 43650 | 8 | optionai |
| 198 | 120001 - 198 | Actuating magnet | 0200 195V DC | | 8 | optional |
| 199 | 120001 - 199 | Conducting box with luminaire | AF 2 195V DC | 43650 | 8 | optional |
| 200 | 120001 - 200 | Clarnp holder | | | 1 | |
| 201 | 120001 - 201 | Cylinder pin | 12m6 x 60 | 6325 | 1 | |
| 202 | 120001 - 202 | Cylinder pin | 12m6 x 30 | 6325 | 1 | |
| 203 | 120001 - 203 | Cutting plate, right | | | 1 | |
| 205 | 120001 - 205 | Cap screw | M8 x 100 | 6912 | 2 | |
| 207 | 120001 - 207 | Cap screw | M8 x 10 | 912 | 2 | V |
| 208 | 120001 - 208 | Counter blade | | | 1 | V |
| 209 | 120001 - 209 | Cutting blade | | | 1 | V |
| 211 | 120001 - 211 | Spacer | | | 1 | |
| 212 | 120001 - 212 | Cap screw | M8 x 20 | 912 | 2 | |
| 213 | 120001 - 213 | Spring washer | 8 | 7980 | 2 | |
| 216 | 120001 - 216 | Lower blade pin | | | 2 | |
| 217 | 120001 - 217 | Withdrawal lever | | | 2 | |
| 218 | 120001 - 218 | Roller | | | 2 | |
| 219 | 120001 - 219 | Roller pin | | | 2 | |
| 221 | 120001 - 221 | Clamping sieve | 3 x 20 | 1481 | 2 | |
| 222 | 120001 - 222 | Clamping sleeve | 12 x 28 | 1481 | 2 | |
| 223 | 120001 - 223 | Distance collar | | | 2 | |

V=Wearing part

| item no. | Order no. | Designation | Dimensions | DIN | Qty. | Remarks |
|------------|---------------------|----------------------------|-----------------------|---------|----------|---------|
| 224 | 120001 - 224 | Distance collar | | | 2 | |
| 225 | 120001 - 225 | Clarnping lever pin | | | 2 | |
| 250 | 120001 - 250 | Hexagonal nut | M4 | 985 | 4 | |
| 251 | 120001 - 251 | Tension washer | 4 | 6796 | 4 | |
| 252 | 120001 - 252 | Junction box | | | 1 | |
| 253 | 120001 - 253 | Mounted housing | 723202428 | | 1 | |
| 254 | 120001 - 254 | Plug insert | 723102453 | | 1 | |
| 255 | 120001 - 255 | Screw connection | M16 x 1,5 | | 13 | |
| 256 | 120001 - 256 | Dummy plug | M16 x 1,5 | | 1 | |
| 257 | 120001 - 257 | Line-up terminal | UK5 | | 33 | |
| 258 | 120001 - 258 | End plate | D/UK 4/10 | | 4 | |
| 259 | 120001 - 259 | Carrier rail | 35 x 7,5 x 248 | | 1 | |
| 260 | 120001 - 260 | Fixed bridge | FB 10-6 | | 2 | |
| 265 | 120001 - 265 | Arrow | | | 1 | |
| 266 | 120001 - 266 | Cap screw | M4 x 12 | 912 | 4 | |
| 267 | 120001 - 267 | Separating disc | TS-K | | 4 | |
| 268 | 120001 - 268 | Endclamp | EIU | | 2 | |
| 269 | 120001 - 269 | Clamp for neutral | USLKG 4 | | 5 | |
| 270 | 120001 - 270 | Wire sleeve | DZ5-CE 007 | | 100 | |
| 271 | 120001 - 271 | Simplex card | 1-20 | | 1 | |
| 272 | 120001 - 272 | Simplex card | 21-40 | | 1 | |
| 273 | 120001 - 273 | Simplex card | PE | | 1 | |
| 301 | 120001 - 301 | Cylindrical pin | 10m6 x 70 | 6325 | 2 | |
| 302 | 120001 - 302 | Cylindrical pin | 10m6 x 90 | 6325 | 2 | |
| 303 | 120001 - 303 | Cap screw | M8 x 20 | 912 | 2 | |
| 304 | 120001 - 304 | Locking washer | S 8 | Schnorr | 2 | |
| 305 | 120001 - 305 | Guide roller | | | 2 | |
| 306 | 120001 - 306 | Guide roller | | | 2 | |
| 307 | 120001 - 307 | Drive housing | | | 1 | |
| 308 | 120001 - 308 | Cap screw | M8 x 20 | 912 | 4 | |
| 309 | 120001 - 309 | Threaded pin | M8 x 12 | 913 | 1 | |
| 310 | 120001 - 310 | Needle bearing | NK 70/25 | | 2 | |
| 311 | 120001 - 311 | DU bushing | 20 x 23 x 30 DU | | 1 | |
| 312 | 120001 - 312 | Cap screw | M8 x 30 | 912 | 1 | |
| 313 | 120001 - 313 | Hexagonal nut | M8 | 934 | 1 | |
| 314 | 120001 - 314 | Short stroke cylinder | TM/50150/10 | | 1 | |
| 315 | 120001 - 315 | Cap screw | M6 x 16 | 912 | 4 | |
| 316 | 120001 - 316 | Swivel joint | SWVE 8-LLR | | 1 | |
| 317 | 120001 - 317 | Reducing nipple | R1/8" x 30 | | 1 | |
| 319 | 120001 - 319 | Cap screw | M8 x 25 | 912 | 4 | |
| 320 | 120001 - 320 | Spring washer | A8 | 127 | 4 | |
| 326 | 120001 - 326 | Hexagonal nut | M10 | 934 | 1 | |
| 327 | 120001 - 327 | Tension washer | 10 | 6796 | 1 | |

V=Wearing part

| item no. | Order no. | Designation | Dimensions | DIN | Qty. | Remarks |
|------------|---------------------|---------------------------|-------------------|----------|----------|----------|
| 330 | 120001 - 330 | Rocker | | | 1 | |
| 331 | 120001 - 331 | Taper ball bearing | 3210 | 628 | 1 | |
| 332 | 120001 - 332 | Gasket | ET 5563 | | 1 | |
| 333 | 120001 - 333 | DU bushing | MB 2550 DU | | 2 | |
| 334 | 120001 - 334 | Cover | | | 1 | |
| 335 | 120001 - 335 | Gasket | G 30 x 37 x 4 | | 1 | |
| 336 | 120001 - 336 | Needle case | BK 3038 | | 1 | |
| 337 | 120001 - 337 | Cap screw | M8 x 25 | 912 | 2 | |
| 338 | 120001 - 338 | Transport shaft | | | 1 | |
| 339 | 120001 - 339 | Retaining ring | 50 x 2 | 471 | 1 | |
| 341 | 120001 - 341 | Flange | | | 1 | |
| 342 | 120001 - 342 | Cap screw | M8 x 45 | 912 | 6 | |
| 343 | 120001 - 343 | Cap screw | 5/16"-18 x 1 1/2" | like 912 | 6 | |
| 344 | 120001 - 344 | Spring pin | | | 1 | |
| 345 | 120001 - 345 | Tension spring | 3030120900 | BBA | 1 | |
| 348 | 120001 - 348 | Needle bushing | DLF 3520 | | 1 | |
| 349 | 120001 - 349 | Gasket | ET 3543 | | 1 | |
| 351 | 120001 - 351 | Needle bushing | DLF 3520 | | 1 | |
| 352 | 120001 - 352 | Gasket | ET 3543 | | 1 | |
| 353 | 120001 - 353 | Counter roller | | | 1 | |
| 354 | 120001 - 354 | Shaft | | | 1 | |
| 355 | 120001 - 355 | Washer | B 25 | 125 | 1 | |
| 356 | 120001 - 356 | Retaining ring | A 25 x 1,2 | 471 | 2 | |
| 357 | 120001 - 357 | Torsion spring | 030121800 | BBA | 1 | |
| 358 | 120001 - 358 | Washer | | | 1 | |
| 359 | 120001 - 359 | Cap screw | M8 x 16 | 912 | 1 | |
| 360 | 120001 - 360 | Locking washer | S8 | Schnorr | 1 | |
| 361 | 120001 - 361 | Shaft | | | 1 | |
| 362 | 120001 - 362 | Adjusting spring | | | 1 | |
| 377 | 120001 - 377 | Tight-fit spring | | | 1 | |
| 378 | 120001 - 378 | Spring washer | A8 | 127 | 1 | |
| 379 | 120001 - 379 | Hexagonal nut | M8 | 934 | 1 | |
| 380 | 120001 - 380 | Cap screw | M10 x 55 | 912 | 1 | |
| 382 | 120001 - 382 | Inner ring | | | 1 | |
| 383 | 120001 - 383 | Conter roller | | | 1 | V |
| 384 | 120001 - 384 | Eccentric | | | 1 | |
| 385 | 120001 - 385 | Needle bushing | DL 3020 | | 1 | |
| 386 | 120001 - 386 | Gasket | ET 3038 | | 1 | |
| 387 | 120001 - 387 | Needle taper ball bearing | NKIB 59/22 | | 1 | |
| 390 | 120001 - 390 | Shaft | | | 1 | |
| 391 | 120001 - 391 | Adjusting spring | A 5 x 5 x 22 | 6858 | 1 | V |
| 392 | 120001 - 392 | Locking washer | 12 | 6799 | 1 | V |
| 393 | 120001 - 393 | Retaining ring | A 22 x 1,2 | 471 | 2 | |

V=Wearing part

| item no. | Order no. | Designation | Dimensions | DIN | Qty. | Remarks |
|------------|---------------------|----------------------------|---------------|---------|----------|---------|
| 394 | 120001 - 394 | Hinged lever, right | | | 1 | |
| 395 | 120001 - 395 | Clamping sleeve | 8 x 36 | 1481 | 1 | |
| | | | | | | |
| | | | | | | |
| 400 | 120001 - 400 | Cap screw | M8 x 16 | 912 | 2 | |
| 401 | 120001 - 401 | Spring washer | 8 | 7980 | 2 | |
| | | | | | | |
| 403 | 120001 - 403 | Reducing nipple | R3/4" x R1/2" | | 1 | |
| 404 | 120001 - 404 | Bracket | | | 1 | |
| 405 | 120001 - 405 | Cap screw | M6 x 16 | 912 | 2 | |
| 406 | 120001 - 406 | Locking washer | S6 | Schnorr | 2 | |
| 407 | 120001 - 407 | Intermediate ring | | | 1 | |
| 408 | 120001 - 408 | Washer | | | 1 | |
| 409 | 120001 - 409 | Contersunk screw | M6 x 12 | 7991 | 2 | |
| 410 | 120001 - 410 | Slide rod | | | 1 | |
| 411 | 120001 - 411 | Angle joint | CS 13 | 71802 | 1 | |
| 412 | 120001 - 412 | Hexagonal nut | M8 | 934 | 1 | |
| 413 | 120001 - 413 | Compressed air motor | 825 F8 F | | 1 | |
| 414 | 120001 - 414 | Straight pipe union | GE 15-LR | | 3 | |
| | | | | | | |
| 416 | 120001 - 416 | Compressed air motor | 130F 10 L/Z | | | |
| 417 | 120001 - 417 | Spring pin | | | 1 | |
| 418 | 120001 - 418 | Toothed wheel | | | 1 | |
| 419 | 120001 - 419 | Dowel pin | 8 x 30 | 7343 | 1 | |
| 420 | 120001 - 420 | Rack | | | 1 | |
| 421 | 120001 - 421 | Shaft | | | 1 | |
| 422 | 120001 - 422 | Flange | | | 1 | |
| 423 | 120001 - 423 | DU bushing | MB 2030 DU | | 1 | |
| 424 | 120001 - 424 | Cap screw | M6 x 12 | 912 | 2 | |
| 425 | 120001 - 425 | Needle bushing | CN 18 13 | | 2 | V |
| 426 | 120001 - 426 | Gasket | ET 1824 | | 2 | V |
| 427 | 120001 - 427 | Cap screw | M6 x 65 | 912 | 4 | |
| 428 | 120001 - 428 | Spring washer | 6 | 7980 | 4 | |
| 429 | 120001 - 429 | Cap screw | M8 x 10 | 912 | 1 | |
| 430 | 120001 - 430 | Cap screw | M6 x 16 | 912 | 1 | |
| 431 | 120001 - 431 | Locking washer | S6 | Schnorr | 1 | |
| 432 | 120001 - 432 | Cap screw | M6 x 60 | 912 | 1 | |
| 433 | 120001 - 433 | Spring washer | A8 | 127 | 1 | |
| | | | | | | |
| 435 | 120001 - 435 | E-angle screwing | EVW 15-LR | | 2 | |
| 438 | 120001 - 438 | Cap screw | M6 x 12 | 912 | 3 | |
| 440 | 120001 - 440 | Tightening disc | 6 | 6796 | 2 | |
| 441 | 120001 - 441 | Cap screw | M6 x 20 | 912 | 2 | |
| 444 | 120001 - 444 | Cap screw | M6 x 12 | 912 | 3 | |
| 446 | 120001 - 446 | Tightening disc | 6 | 6796 | 2 | |
| 447 | 120001 - 447 | Cap screw | M6 x 20 | 912 | 2 | |
| | | | | | | |
| 450 | 120001 - 450 | Cylindrical pin | 6m6 x 32 | 6325 | 2 | |
| 451 | 120001 - 451 | Cap screw | M8 x 30 | 912 | 4 | |
| 452 | 120001 - 452 | Spring washer | A8 | 7980 | 4 | |
| 453 | 120001 - 453 | Hexagonal nut | M8 | 934 | 4 | |

| item no. | Order no. | Designation | Dimensions | DIN | Qty. | Remarks |
|------------|---------------------|-----------------------------------|-------------------------|--|----------|----------------------|
| 455 | 120001 - 455 | DU bushing | MB 2550 DU | | 1 | |
| 460 | 120001 - 460 | Key | | | 2 | |
| 461 | 120001 - 461 | Cap screw | M6 x25 | | 2 | |
| 462 | 120001 - 462 | Locking washer | S6 | | 1 | |
| 465 | 120001 - 465 | DU washer | | | 2 | V |
| 468 | 120001 - 468 | Headless pin | M12 x 35 | 913 | 1 | |
| 469 | 120001 - 469 | Hexagonalnut | M12 | 934 | 1 | |
| 470 | 120001 - 470 | Strap guide | | | 1 | |
| 473 | 120001 - 473 | Cap screw | M8 x 30 | 912 | 3 | |
| 474 | 120001 - 474 | Spring washer | A8 | 127 | 3 | |
| 475 | 120001 - 475 | Cap screw | M8 x 22 | 912 | 2 | |
| 476 | 120001 - 476 | Washer | B 8,4 | 125 | 1 | |
| 477 | 120001 - 477 | Spring washer | A8 | 127 | 1 | |
| 479 | 120001 - 479 | Cap screw | M6 x 85 | 912 | 1 | |
| 480 | 120001 - 480 | Tension seal | 4 x 20 | 1481 | 1 | |
| 481 | 120001 - 481 | Feeder box retainer | | | 1 | turned by 90' |
| 487 | 120001 - 487 | Eyebolt | M16 | 580 | 2 | |
| 488 | 120001 - 488 | Cap screw | M8 x 50 | 912 | 3 | |
| 490 | 120001 - 490 | Cap screw | 5/16"-18 x 1" | like 912 | 3 | |
| 491 | 120001 - 491 | Cap screw | M10 x 25 | 912 | 2 | |
| 494 | 120001 - 494 | Swivel joint | SWVE 8-LLR | | 2 | |
| 495 | 120001 - 495 | Locking washer | S10 | Schnorr | 2 | |
| 497 | 120001 - 497 | Bellows | V6-290 | | 1 | |
| 499 | 120001 - 499 | Feed wheel | | | 1 | V |
| 500 | 120001 - 500 | Cutter station | consisting of items no. | 50 – 89 93-99 505+506 508+509 | 1 | |
| 501 | 120001 - 501 | Pneumatic control | consisting of items no. | 100-164 169-199 507+528 | 1 | |
| 503 | 120001 - 503 | Junction box | consisting of items no. | 250-266 | 1 | |
| 505 | 120001 - 505 | Lever mounting, complete | | | 1 | |
| 506 | 120001 - 506 | Hinged lever | | | 1 | |
| 507 | 120001 - 507 | Valve block, complete | | | 1 | |
| 508 | 120001 - 508 | Cylinder | | | 1 | |
| 509 | 120001 - 509 | Blade housing with bushing | with item no. 91 | | 1 | |

V=Wearing part

| item no. | Order no. | Designation | Dimensions | DIN | Qty. | Remarks |
|----------|--------------|---------------------------------|------------------------|---------|------|----------|
| 511 | 120001 - 511 | Retention pin | | | 1 | |
| 513 | 120001 - 513 | Piston, kompl. | with items 78,49,98,99 | | 1 | |
| 517 | 120001 - 517 | Retention pin | | | 1 | |
| 518 | 120001 - 518 | Auxillary Trotte | | | 1 | |
| 520 | 120001 - 520 | Counter roller angle | with items 450-452 | | 1 | |
| 521 | 120001 - 521 | Lever, complete | with item 455 | | 1 | |
| 522 | 120001 - 522 | Retention pin | | | 1 | |
| 527 | 120001 - 527 | Cylinder holding device | | | 1 | |
| 528 | 120001 - 528 | Valve block | with items 184-187 | | 1 | |
| 529 | 120001 - 529 | Motor flonge | | | 1 | |
| 530 | 120001 - 530 | Pneumatic cylinder compl. | with items 800-805 | | 1 | |
| 550 | 120001 - 550 | Pneumatic cylinder 2 compl. | with items 910-917 | | 1 | |
| 607 | 120001 - 607 | Cylindrical pin | 12m6 x 50 | 6325 | 2 | |
| 612 | 120001 - 612 | Cylindrical pin | 6m6 x 10 | 6325 | 4 | |
| 800 | 120001 - 800 | Flange mounting with cap screws | FNC-63 | | 1 | |
| 801 | 120001 - 801 | Pneumatic cylinder | DNC-63-50 | | 1 | |
| 802 | 120001 - 802 | Reducing nipple | R3/8" x R1/4" | | 1 | |
| 803 | 120001 - 803 | Swivel joint | SWVE 8-LR | | 1 | |
| 804 | 120001 - 804 | Joint | EVW 8-L | | 1 | |
| 805 | 120001 - 805 | Straight pipe union | GE 8-L | | 1 | |
| 900 | 120001 - 900 | Compressed air motor | 825 F8 F | | 1 | exchange |
| 902 | 120001 - 902 | Compressed air motor | 130 F 10 L/Z | | 1 | exchange |
| 910 | 120001 - 910 | Flat cylinder | DZH-25-25 | | 1 | |
| 911 | 120001 - 911 | Slewing flange | SZSB-25 | | 1 | |
| 912 | 120001 - 912 | DZH-fork head | | | 1 | |
| 913 | 120001 - 913 | Bolt | | | 1 | |
| 914 | 120001 - 914 | Locking washer | 7 | 6799 | 1 | |
| 915 | 120001 - 915 | Locking washer | S5 | Schnorr | 2 | |
| 916 | 120001 - 916 | Cap screw | M5 x 10 | 912 | 2 | |

V=Wearing part

| item no. | Order no. | Designation | Dimensions | DIN | Qty. | Remarks |
|----------|-----------|-------------|------------|-----|------|---------|
|----------|-----------|-------------|------------|-----|------|---------|

| | | | | | | |
|-------------|----------------------|---------------------------|---------------------------|------|----------|------------|
| 917 | 120001-917 | Double nipple | F-DAI-1/8 | | 2 | |
| 1001 | 120001 - 1001 | Clamping piece | for 19 mm strap | | 1 | V |
| 1002 | 120001 - 1002 | | for 25 mm strap | | 1 | V |
| 1003 | 120001 - 1003 | | for 32 mm strap | | 1 | V |
| 2201 | 120001 - 2201 | Clamping lever | for 19 mm strap | | 2 | |
| 2202 | 120001 - 2201 | | for 25 mm strap | | 2 | |
| 2203 | 120001 - 2203 | | for 32 mm strap | | 2 | |
| 3001 | 120001 - 3001 | Bearing box | for 19 mm strap | | 1 | |
| 3002 | 120001 - 3002 | | for 25 mm strap | | 1 | |
| 3003 | 120001 - 3003 | | for 32 mm strap | | 1 | |
| 3401 | 120001 - 3401 | Feed wheel | for 19+25 mm strap | | 1 | V |
| 3402 | 120001 - 3402 | | for 32 mm strap | | 1 | V |
| 3461 | 120001 - 3641 | Guide | for 19 mm strap | | 1 | |
| 3462 | 120001 - 3462 | | for 25 mm strap | | 1 | |
| 3463 | 120001 - 3463 | | for 32 mm strap | | 1 | |
| 3881 | 120001 - 3881 | Strap guide, left | for 19 mm Strap | | 1 | V |
| 3882 | 120001 - 3882 | | for 25 mm Strap | | 1 | V |
| 3883 | 120001 - 3883 | | for 32 mm Strap | | 1 | V |
| 3891 | 120001 - 3891 | Strap guide, right | for 19 mm Strap | | 1 | V |
| 3892 | 120001 - 3892 | | for 25 mm Strap | | 1 | V |
| 3893 | 120001 - 3893 | | for 32 mm Strap | | 1 | V |
| 3991 | 120001 - 3991 | Guide | for 19 mm Strap | | 1 | |
| 3992 | 120001 - 3992 | | for 25 mm Strap | | 1 | |
| 3993 | 120001 - 3993 | | for 32 mm Strap | | 1 | |
| 4050 | 120001 - 4050 | Bearing block | | | 1 | |
| 4051 | 120001 - 4051 | Cap screw | M5 x 20 | 912 | 2 | |
| 4052 | 120001 - 4052 | Pressure spring | D-123 | | 1 | |
| 4053 | 120001 - 4053 | Cylindrical pin | 8m6 x 20 | 6325 | 1 | |
| 4054 | 120001 - 4054 | Plate | | | 1 | |
| 4055 | 120001 - 4055 | Cap screw | M3 x 16 | 84 | 2 | |
| 4056 | 120001 - 4056 | Spring washer | 3 | 6796 | 2 | |
| 4057 | 120001 - 4057 | Initiator | IN5186 | | 1 | 10-55 V DC |
| 4058 | 120001 - 4058 | Pawl | | | 1 | |
| 4059 | 120001 - 4059 | Cylindrical pin | 8m6 x 26 | 6325 | 1 | |
| 4060 | 120001 - 4060 | Lever | | | 1 | |
| 4061 | 120001 - 4061 | Countersunk screw | | | 1 | |
| 4062 | 120001 - 4062 | Spring pin | 4 x 8 | 7343 | 1 | |
| 4063 | 120001 - 4063 | Protective screw | | | 1 | |
| 4064 | 120001 - 4064 | Cap screw | M5 x 8 | 912 | 4 | |
| 4065 | 120001 - 4065 | Spring washer | 5 | 6796 | 4 | |
| 4066 | 120001 - 4066 | Contact piece | | | 1 | |
| 4067 | 120001 - 4067 | Cap screw | M4 x 10 | 912 | 1 | |
| 4068 | 120001 - 4068 | Spring washer | 4 | 6796 | 1 | |

V=Wearing part

| item no. | Order no. | Designation | Dimensions | DIN | Qty. | Remarks |
|-------------|----------------------|---|------------------------|-------|----------|-------------|
| 4069 | 120001 - 4069 | Dowel pin | 4 x 8 | 7343 | 1 | |
| 4070 | 120001 - 4070 | Initiator | IN0051 | | 1 | 20-250 V AC |
| 4071 | 120001 - 4071 | Airflex hose | 7 x 10 | | 1 | |
| 4072 | 120001 - 4072 | Fastening element | KR6G5 | | 2 | |
| 4073 | 120001 - 4073 | Countersunk screw | M4 x 8 | 10642 | 2 | |
| | | | | | | |
| | | | | | | |
| 4361 | 120001 - 4361 | End support piece, right | for 19 mm strap | | 1 | |
| 4362 | 120001 - 4362 | | for 25 mm strap | | 1 | |
| 4362 | 120001 - 4363 | | for 32 mm strap | | 1 | |
| | | | | | | |
| 4371 | 120001 - 4371 | Guide bar, right | for 19 mm strap | | 1 | V |
| 4372 | 120001 - 4372 | | for 25 mm strap | | 1 | V |
| 4373 | 120001 - 4373 | | for 32 mm strap | | 1 | V |
| | | | | | | |
| 4391 | 120001 - 4391 | Guide bar, top | for 19 mm strap | | 2 | V |
| 4392 | 120001 - 4392 | | for 25 mm strap | | 2 | V |
| 4393 | 120001 - 4393 | | for 32 mm strap | | 2 | V |
| | | | | | | |
| 4421 | 120001 - 4421 | End support piece, left | for 19 mm strap | | 1 | |
| 4422 | 120001 - 4422 | | for 25 mm strap | | 1 | |
| 4423 | 120001 - 4423 | | for 32 mm strap | | 1 | |
| | | | | | | |
| 4431 | 120001 - 4431 | Guide bar, left | for 19 mm strap | | 1 | V |
| 4432 | 120001 - 4432 | | for 25 mm strap | | 1 | V |
| 4433 | 120001 - 4433 | | for 32 mm strap | | 1 | V |
| | | | | | | |
| 4781 | 120001 - 4781 | Flap step | | | 1 | |
| | | | | | | |
| 5041 | 120001 - 5041 | Drive for 19 mm strap consisting of items no. 300-345, 490-499, 518-527 | 5231,5241,5251 | | 1 | |
| 5042 | 120001 - 5042 | Drive for 25 mm strap consisting of items no. 300-345, 490-499, 518-527 | 5232,5242,5252 | | 1 | |
| 5043 | 120001 - 5043 | Drive for 32 mm strap consisting of items no. 300-345, 490-499, 518-527 | 5233,5243,5253 | | 1 | |
| | | | | | | |
| 5101 | 120001 - 5101 | Cutter unit for 19 mm strap consisting of items no. 511, 607-612, 6001-6111, | 200-203,205,207-225 | | 1 | V |
| 5102 | 120001 - 5102 | Cutter unit for 25 mm strap consisting of items no. 511, 607-612, 6002-6112, | 200-203,205,207-225 | | 1 | V |
| 5103 | 120001 - 5103 | Cutter unit for 32 mm strap consisting of items no. 511, 607-612, 6003-6113, | 200-203,205,207-225 | | 1 | V |

V=Wearing part

| item no. | Order no. | Designation | Dimensions | DIN | Qty. | Remarks |
|----------|----------------|---|------------------------|----------|------|----------|
| 5231 | 120001 - 5231 | Guide block | for 19 mm strap | | 1 | |
| 5232 | 120001 - 5232 | Guide block | for 25 mm strap | | 1 | |
| 5233 | 120001 - 5233 | Guide block | for 32 mm strap | | 1 | |
| 5241 | 120001 - 5241 | End support piece, right consisting of items no. 438-441, 4361,4371,4391 | for 19 mm strap | complete | 1 | |
| 5242 | 120001 - 5242 | End support piece, right consisting of items no. 438-441, 4362,4372,4392 | for 25 mm strap | complete | 1 | |
| 5243 | 120001 - 5243 | End support piece, right consisting of items no. 438-441, 4363,4373,4393 | for 32 mm strap | complete | 1 | |
| 5251 | 120001 - 5251 | End support piece, left consisting of items no. 444-447,4421,4431,4391 | for 19 mm strap | complete | 1 | |
| 5252 | 120001 - 5252 | End support piece, left consisting of items no. 444-447,4422,4432,4392 | for 25 mm strap | complete | 1 | |
| 5253 | 120001 - 5253 | End support piece, left consisting of items no. 444-447,4423,4433,4393 | for 32 mm strap | complete | 1 | |
| 5311 | 120001 - 5311 | Cutter unit ,like item 5101 | for 19 mm strap | | 1 | exchange |
| 5312 | 120001 - 5312 | Cutter unit ,like item 5102 | for 25 mm strap | | 1 | exchange |
| 5313 | 120001 - 5313 | Cutter unit ,like item 5103 | for 32 mm strap | | 1 | exchange |
| 5501 | 120001 - 55501 | Strapping head VS 31 with pneumatic strap stop switch for hot applications | for 19 mm strap | | 1 | |
| 5502 | 120001 - 55502 | Strapping head VS 31 with pneumatic strap stop switch for hot applications | for 25 mm strap | | 1 | |
| 5503 | 120001 - 55503 | Strapping head VS 31 with pneumatic strap stop switch for hot applications | for 32 mm strap | | 1 | |
| 5511 | 120001 - 55511 | Strapping head VS 31 with electrical strap stop switch | for 19 mm strap | | 1 | Standard |
| 5512 | 120001 - 55512 | Strapping head VS 31 with electrical strap stop switch | for 25 mm strap | | 1 | Standard |
| 5513 | 120001 - 55513 | Strapping head VS 31 with electrical strap stop switch | for 32 mm strap | | 1 | Standard |
| 6001 | 120001 - 6001 | Cutter plate, left | for 19 mm strap | | 1 | |
| 6002 | 120001 - 6002 | | for 25 mm strap | | 1 | |
| 6003 | 120001 - 6003 | | for 32 mm strap | | 1 | |
| 6011 | 120001 - 6011 | Centre plate | for 19 mm strap | | 1 | |

V=Wearing part

| item no. | Order no. | Designation | Dimensions | DIN | Qty. | Remarks |
|----------|---------------|----------------------------|-----------------|-----|------|---------------------|
| 6012 | 120001 - 6012 | | for 25 mm strap | | 1 | |
| 6013 | 120001 - 6013 | | for 32 mm strap | | 1 | |
| 6021 | 120001 - 6021 | Lower blade, right, centre | for 19 mm strap | | 1 | |
| 6022 | 120001 - 6022 | | for 25 mm strap | | 1 | |
| 6023 | 120001 - 6023 | | for 32 mm strap | | 1 | |
| 6031 | 120001 - 6031 | Lower blade, left, centre | for 19 mm strap | | 1 | |
| 6032 | 120001 - 6032 | | for 25 mm strap | | 1 | |
| 6033 | 120001 - 6033 | | for 32 mm strap | | 1 | |
| 6041 | 120001 - 6041 | Lower blade, right, outer | for 19 mm strap | | 2 | |
| 6042 | 120001 - 6042 | | for 25 mm strap | | 2 | |
| 6043 | 120001 - 6043 | | for 32 mm strap | | 2 | |
| 6051 | 120001 - 6051 | Lower blade, left, outer | for 19 mm strap | | 2 | |
| 6052 | 120001 - 6052 | | for 25 mm strap | | 2 | |
| 6053 | 120001 - 6053 | | for 32 mm strap | | 2 | |
| 6061 | 120001 - 6061 | Articulated lever | for 19 mm strap | | 2 | |
| 6062 | 120001 - 6062 | | for 25 mm strap | | 2 | |
| 6063 | 120001 - 6063 | | for 32 mm strap | | 2 | |
| 6081 | 120001 - 6081 | Upper cutter unit | for 19 mm strap | | 1 | |
| 6082 | 120001 - 6082 | | for 25 mm strap | | 1 | |
| 6083 | 120001 - 6083 | | for 32 mm strap | | 1 | |
| 6091 | 120001 - 6091 | Supporting bar | for 19 mm strap | | 1 | |
| 6092 | 120001 - 6092 | | for 25 mm strap | | 1 | |
| 6093 | 120001 - 6093 | | for 32 mm strap | | 1 | |
| 6101 | 120001 - 6101 | Cap screw | M5 x 25 | 912 | 2 | for 19, 25 mm strap |
| 6103 | 120001 - 6103 | Cap screw | M6 x 25 | 912 | 2 | for 32 mm strap |
| 6111 | 120001 - 6111 | Distance plate | for 19 mm strap | | 2 | |
| 6112 | 120001 - 6112 | | for 25 mm strap | | 2 | |
| 6113 | 120001 - 6113 | | for 32 mm strap | | 2 | |